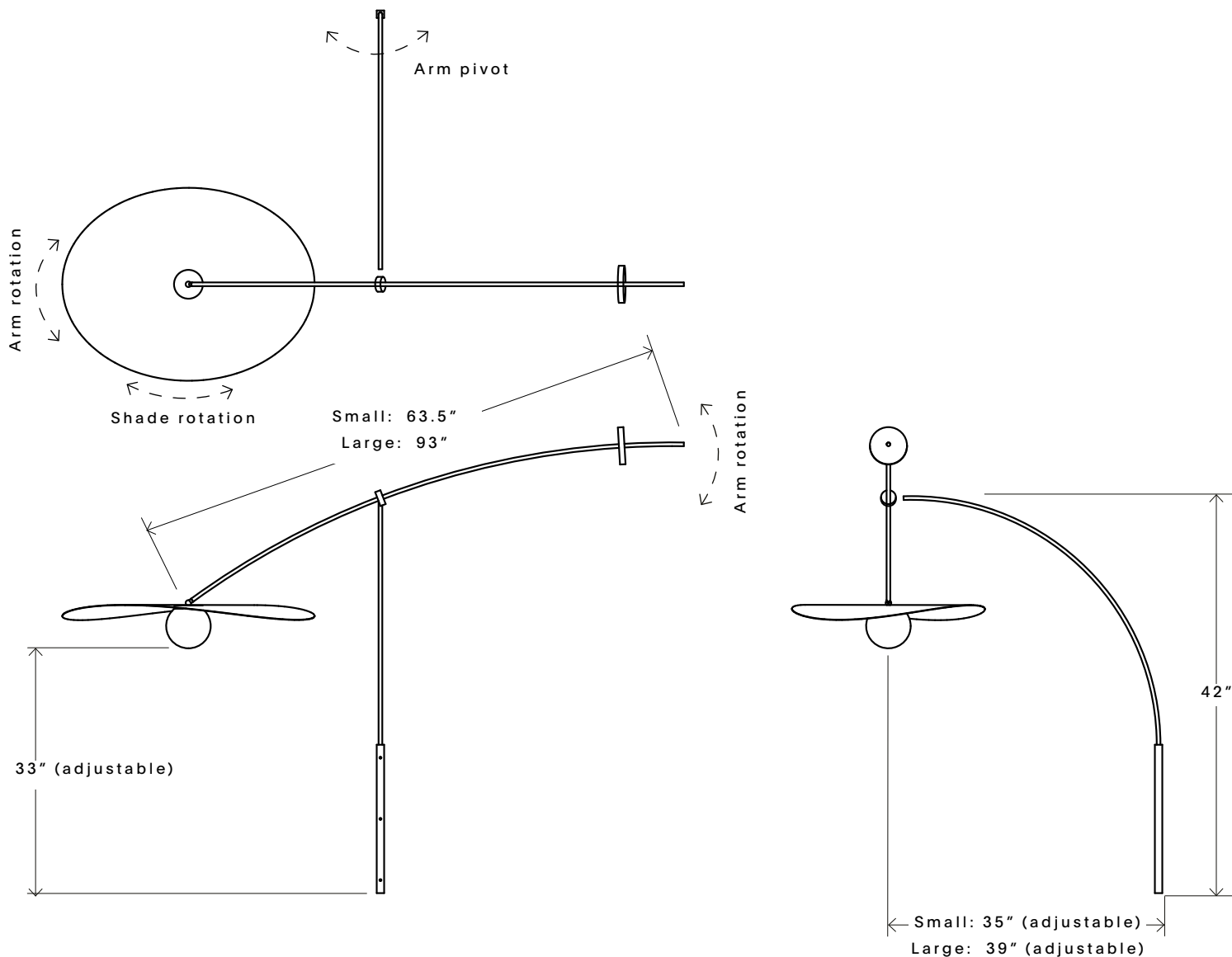


# Myrna Wall Mobiles



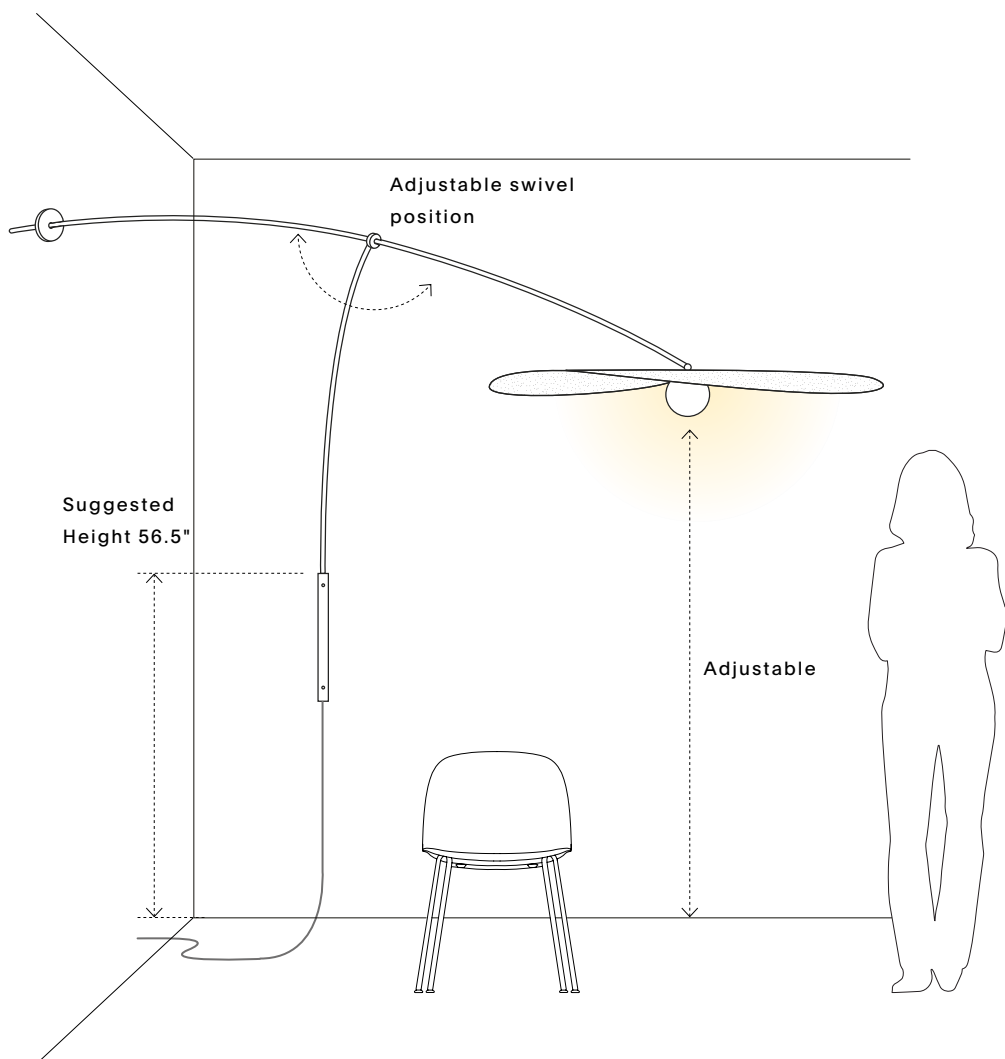
## APPEARANCE

Materials	Steel, perforated aluminum, glass globe
Finishes	See Material Options page
Customize	Finishes, Materials, Colors, Size

## TECHNICAL

Socket / Lamp	E26 socket, G16.5 or A15 bulb
Watt / Volt	25W max line voltage to 300v; plug in or hardwired
Compatibility	Most North American and European standard systems
Certification	UL
Weight	15 lb.

# Myrna Wall Mobiles



## REC. USE / SPACES

Ambient/accent lighting  
Living room  
Statement corner  
Lobby / Entrance



### BULB

E26 socket with  
G16.5 or A15 bulb  
(available separately)



### COLOR TEMP

2700K  
recommended



### LUMENS SCALE

Variable



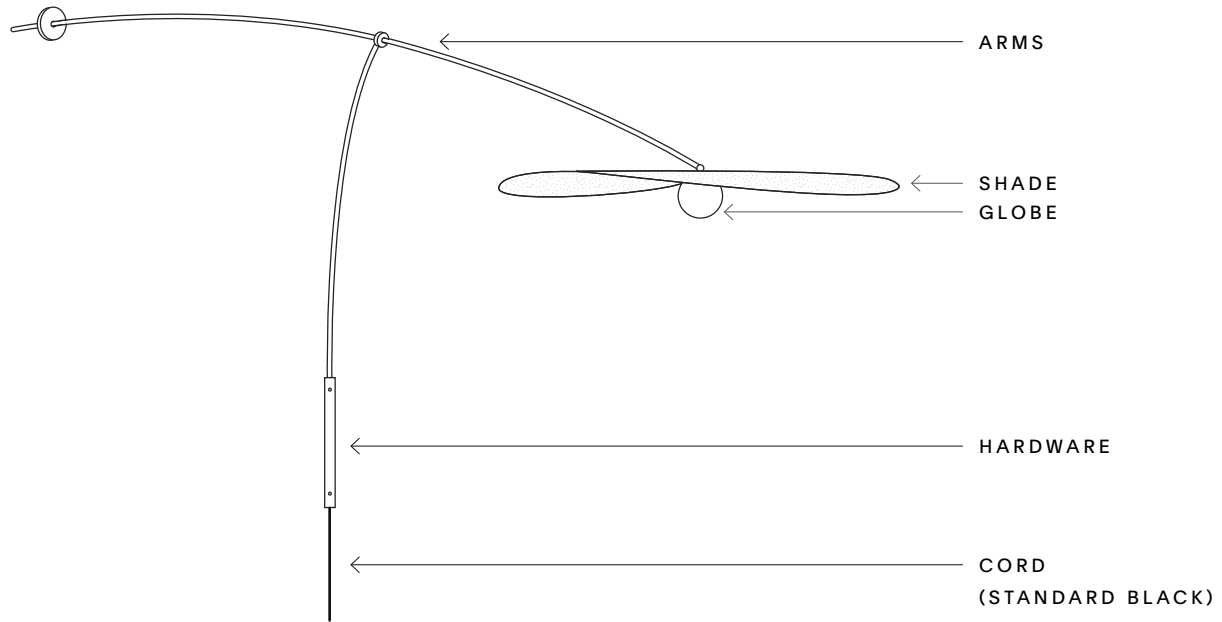
### DIMMING

Integrated switch  
or wall dimmer  
(specify preference)

### OTHER NOTES

Plug-in or hard-wired version  
  
Specify Right or Left sided.

# Myrna Wall Mobiles



## MATERIAL OPTIONS

\*A vast array of custom materials and finishes are available for most products upon request.

### HARDWARE

---



Blackened  
Brass

### SHADE

---



Perforated  
Smoke

### GLOBE

---



White  
(opaque)



Cream  
(translucent)



Fog  
(opaque)

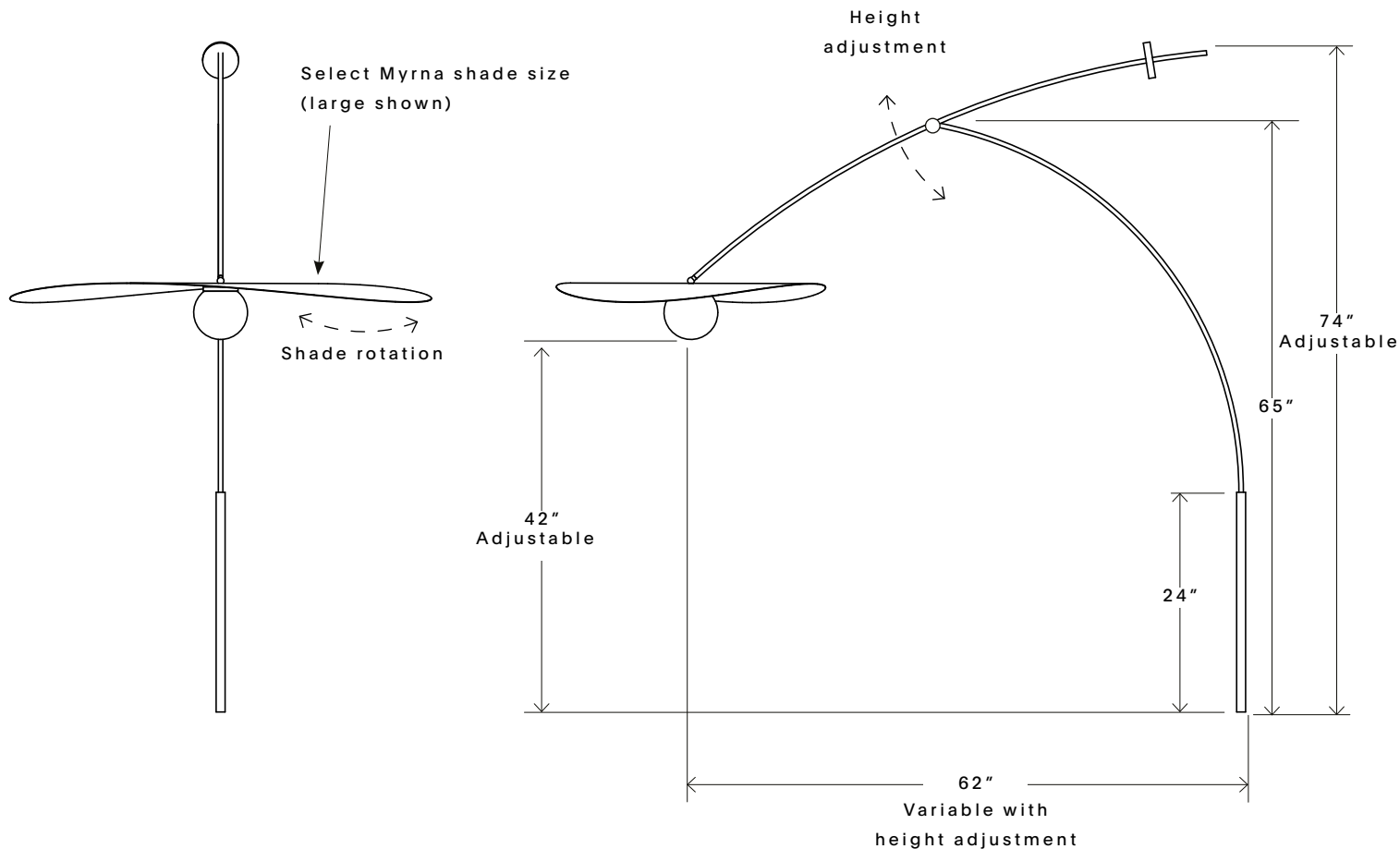


Rust  
(translucent)



Cream  
(opaque)

# Myrna Swing Arm - Large



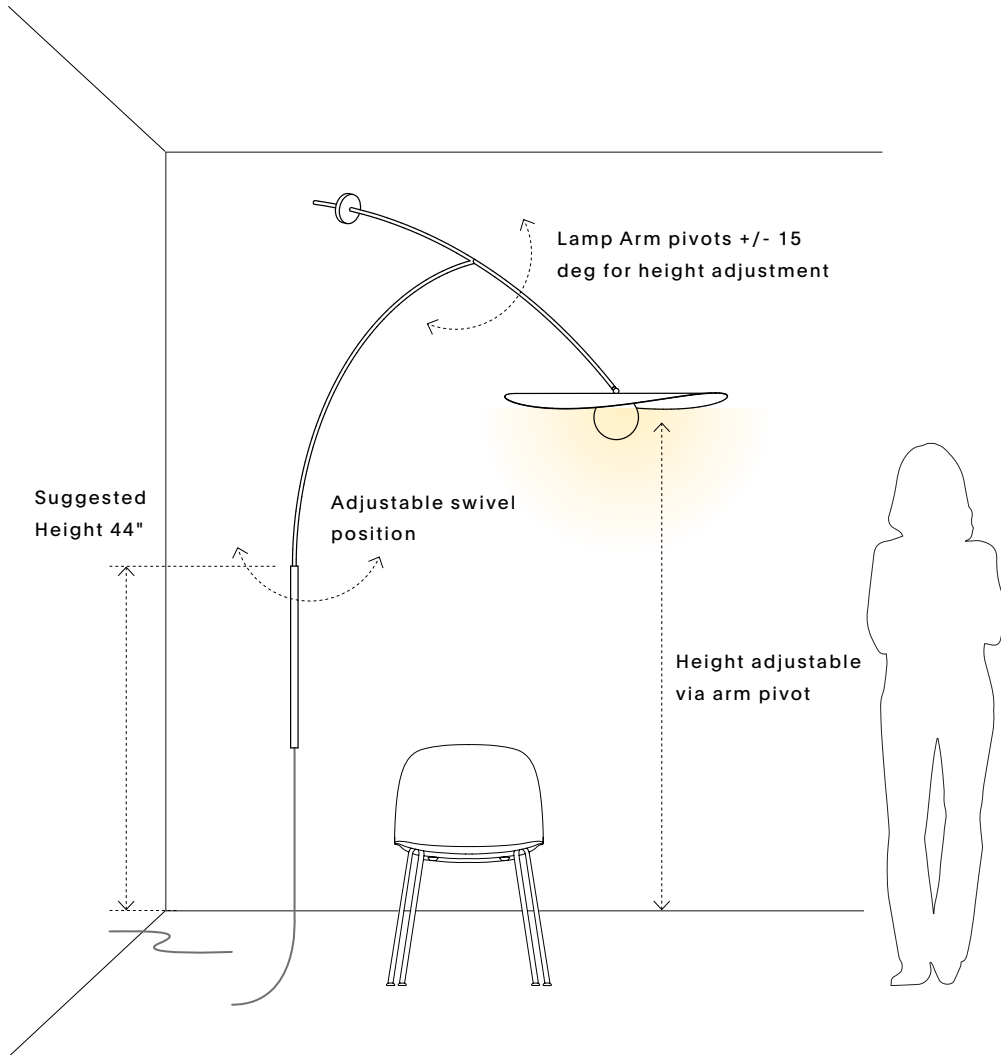
## APPEARANCE

Materials	Steel, perforated aluminum, glass globe
Finishes	See Material Options page
Customize	Finishes, Materials, Colors, Size

## TECHNICAL

Socket / Lamp	E26 socket, G16.5 or A15 bulb
Watt / Volt	25W max line voltage to 300v; plug in or hardwired
Compatibility	Most North American and European standard systems
Certification	UL
Weight	15 lb.

# Myrna Swing Arm - Large



## REC. USE / SPACES

Ambient/accent lighting  
Living room  
Statement corner  
Lobby / Entrance



### BULB

E26 socket with  
G16.5 or A15 bulb  
(available separately)



### COLOR TEMP

2700K  
recommended



### LUMENS SCALE

Variable



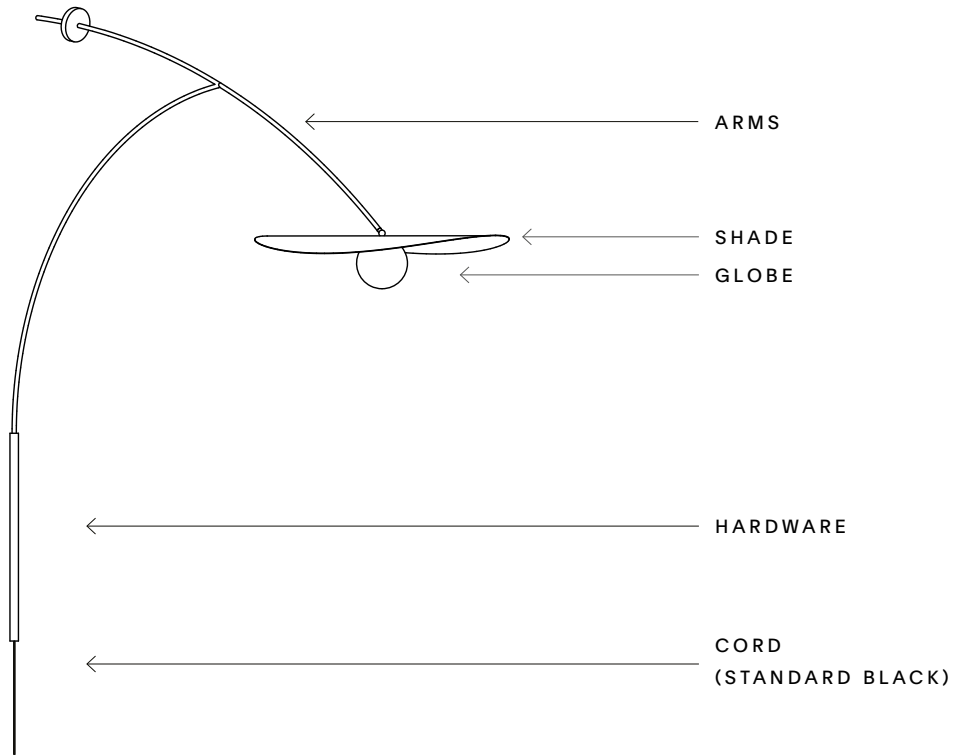
### DIMMING

Integrated switch  
or wall dimmer  
(specify preference)

### OTHER NOTES

Plug-in or hard-wired version

# Myrna Swing Arm - Large



## MATERIAL OPTIONS

\*A vast array of custom materials and finishes are available for most products upon request.

### HARDWARE



Blackened  
Brass

### SHADE



Perforated  
Smoke

### GLOBE



White  
(opaque)



Cream  
(translucent)



Fog  
(opaque)

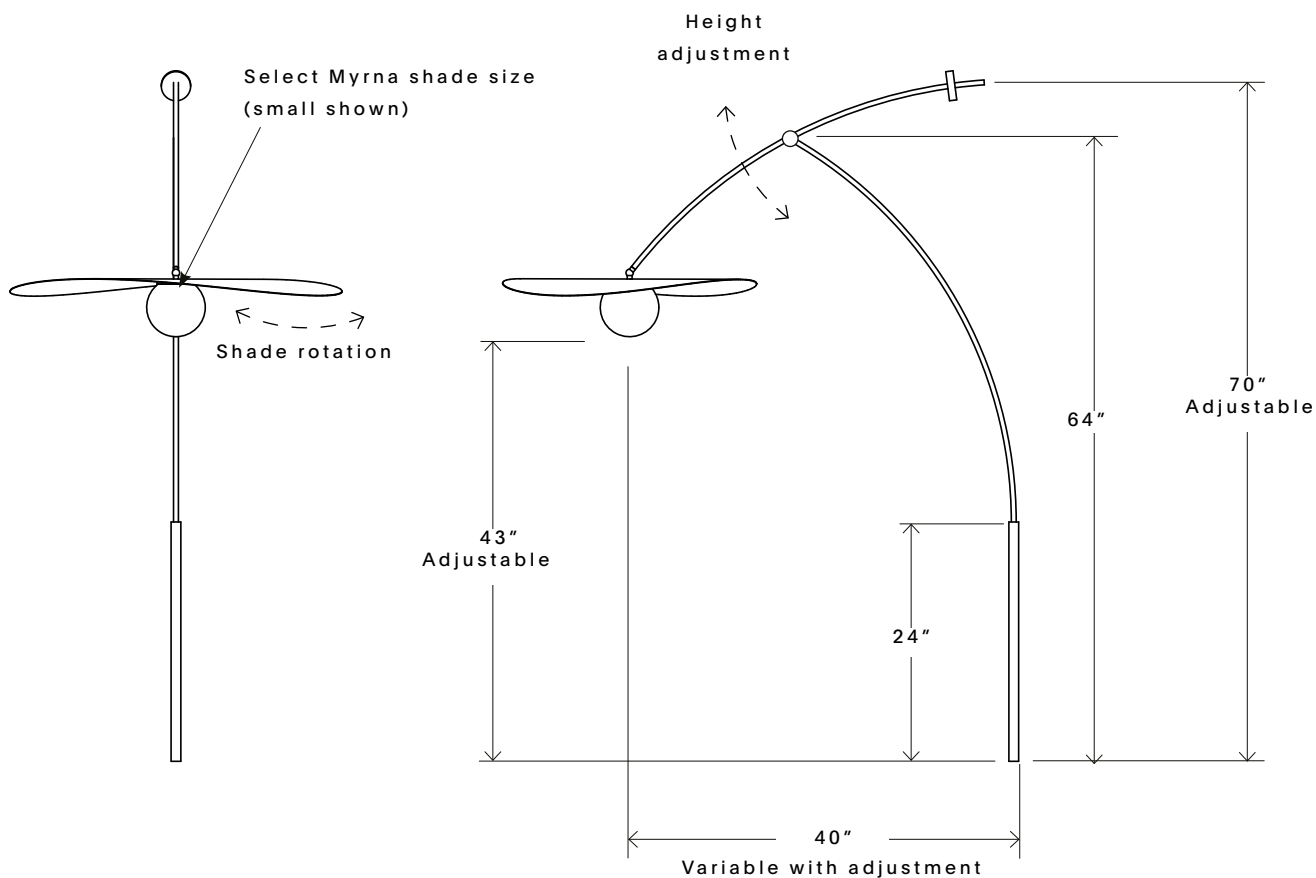


Rust  
(translucent)



Cream  
(opaque)

# Myrna Swing Arm - Small



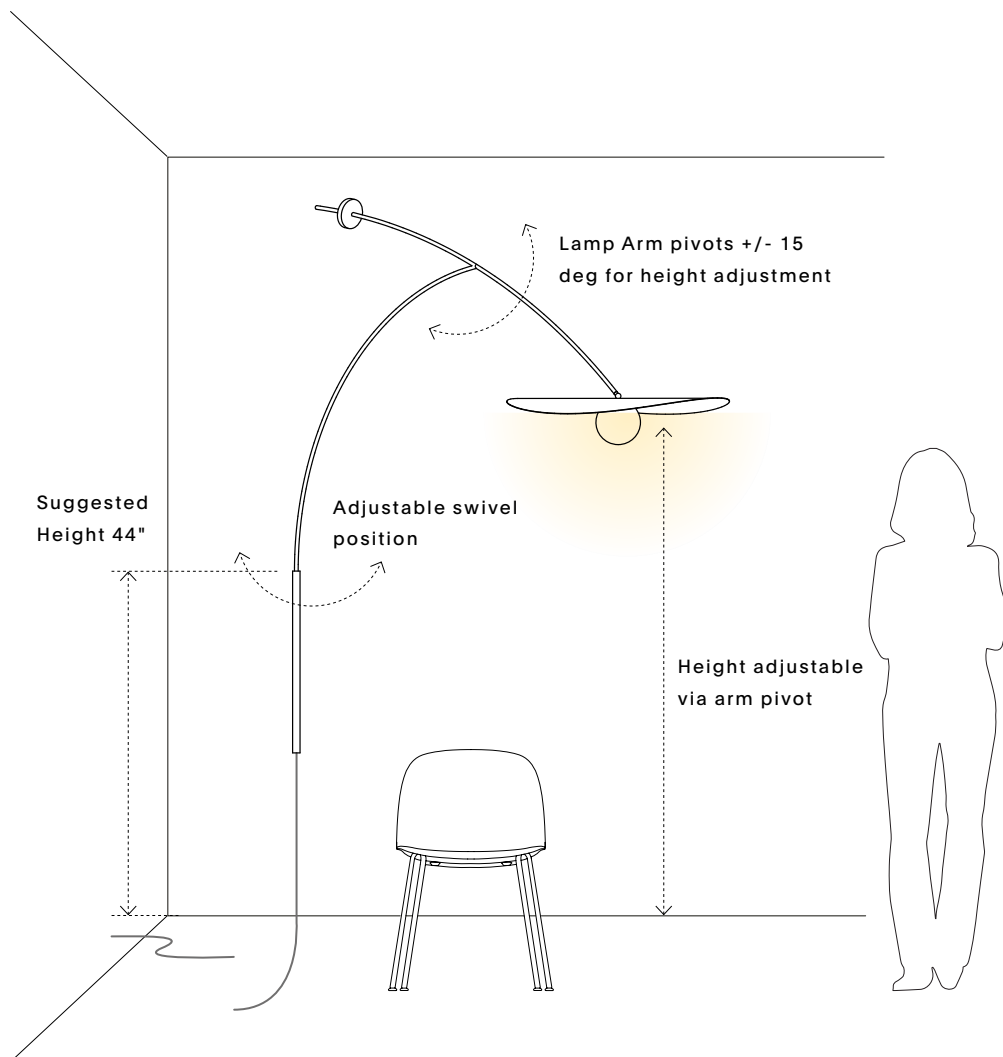
## APPEARANCE

Materials	Steel, perforated aluminum, glass globe
Finishes	See Material Options page
Customize	Finishes, Materials, Colors, Size

## TECHNICAL

Socket / Lamp	E26 socket, G16.5 or A15 bulb
Watt / Volt	25W max line voltage to 300v; plug in or hardwired
Compatibility	Most North American and European standard systems
Certification	UL
Weight	15 lb.

# Myrna Swing Arm - Small



## REC. USE / SPACES

Ambient/accent lighting  
Living room  
Statement corner  
Lobby / Entrance



### BULB

E26 socket with  
G16.5 or A15 bulb  
(available separately)



### COLOR TEMP

2700K  
recommended



### LUMENS SCALE

Variable



### DIMMING

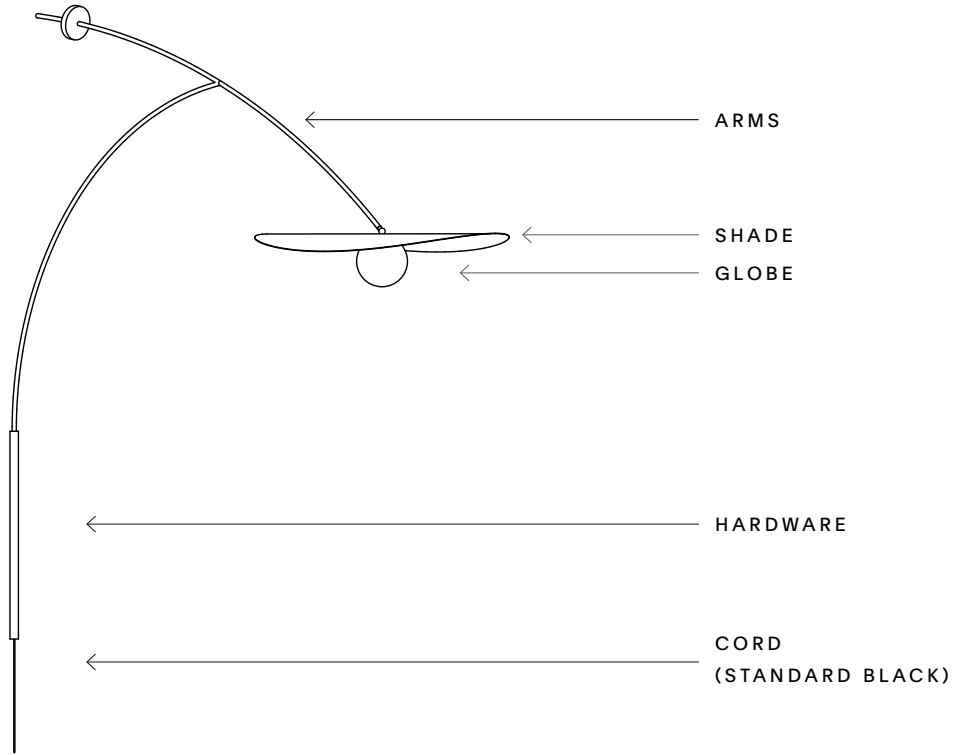
Integrated switch  
or wall dimmer  
(specify preference)

### OTHER NOTES

Plug-in or hard-wired version



# Myrna Swing Arm - Small



## MATERIAL OPTIONS

\*A vast array of custom materials and finishes are available for most products upon request.

### HARDWARE



Blackened  
Brass

### SHADE



Perforated  
Smoke

### GLOBE



White  
(opaque)



Cream  
(translucent)



Fog  
(opaque)

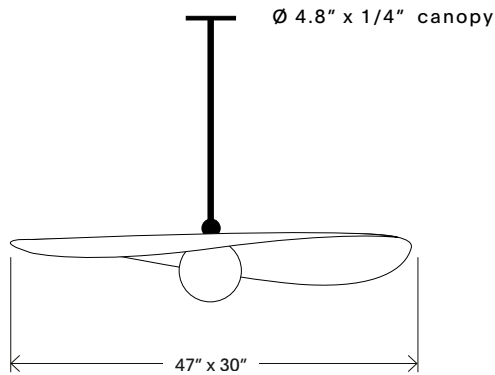
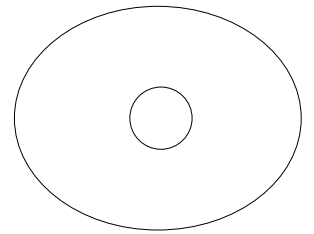
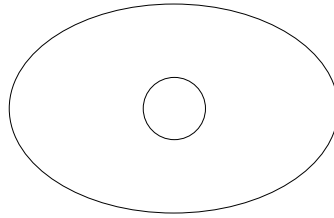
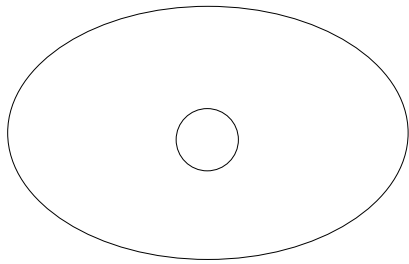


Rust  
(translucent)

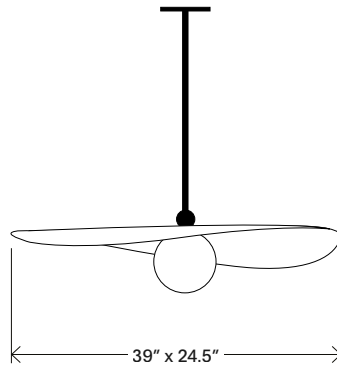


Cream  
(opaque)

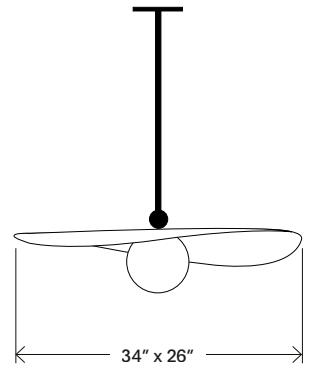
# Myrna Pendant



Large



Medium



Small

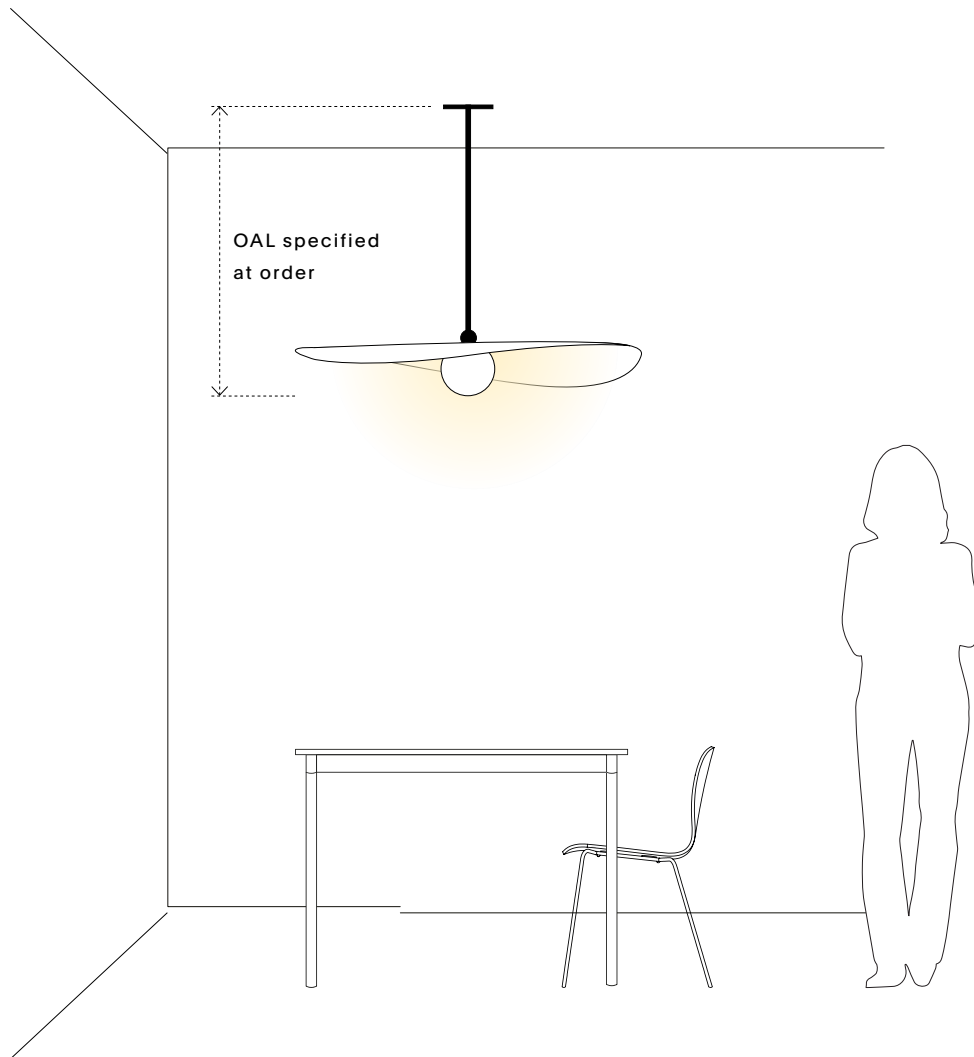
## APPEARANCE

Materials	Glass, Brass, Stainless Steel, Aluminum
Finishes	See Material Options page
Customize	Finishes, Dimensions, Clusters

## TECHNICAL

Socket / Lamp	E26 socket, G16.5 or A15 bulb
Watt / Volt	25W max line voltage to 300v
Compatibility	Most North American and European
Certification	UL
Weight	5 lb (metal shades), 9 lb. (glass shades)

# Myrna Pendant



## REC. USE / SPACES

Ambient/accent lighting  
Living room  
Dining Room  
Statement corner  
Lobby / Entrance



### BULB

E26 socket with  
G16.5 or A15 bulb  
(available separately)



### COLOR TEMP

2700K  
recommended



### LUMENS SCALE

Variable



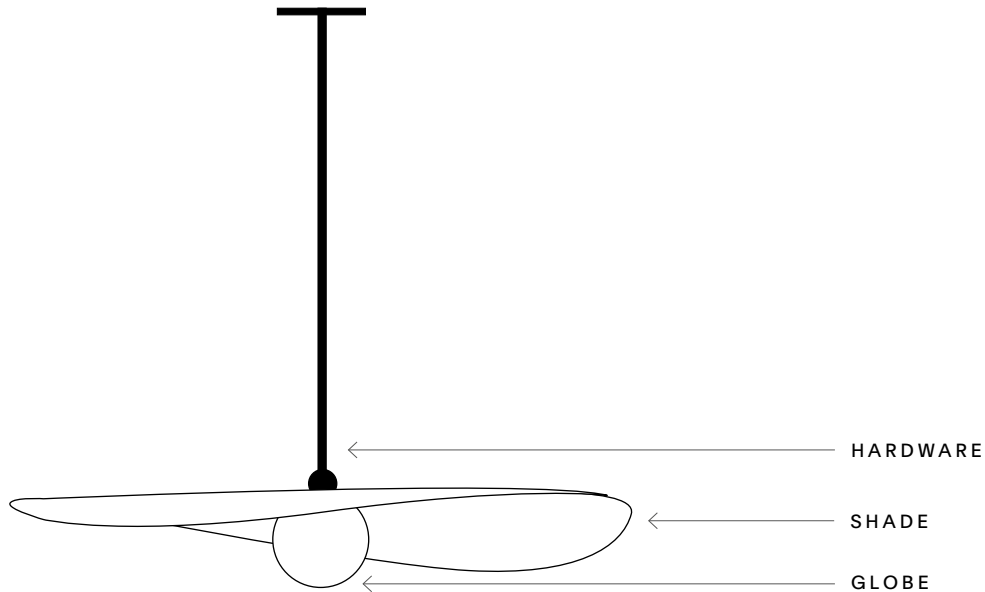
### DIMMING

ELV

### OTHER NOTES

Electronic Wall  
Dimmer Required

# Myrna Pendant



## MATERIAL OPTIONS

\*A vast array of custom materials and finishes are available for most products upon request.

### HARDWARE



Brass  
(brushed)



Blackened  
Brass

### SHADE



Perforated  
Smoke



Stainless  
Steel  
Brushstroke



Brass  
Brushstroke

### GLOBE



White  
(opaque)



Cream  
(translucent)



Fog  
(opaque)



Rust  
(translucent)



Cream  
(opaque)



Marbled  
White  
Glass

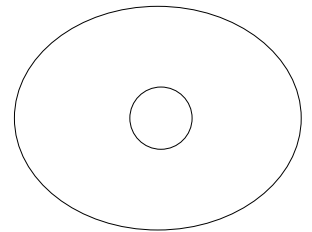
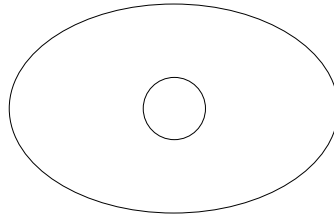
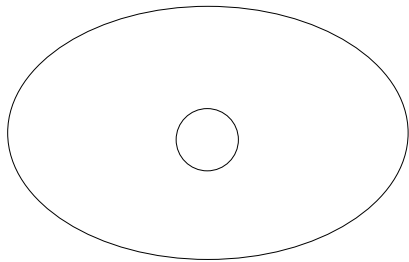


Glacier  
Glass

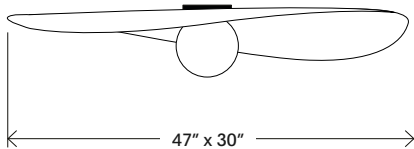


Marbled  
Amber  
Glass

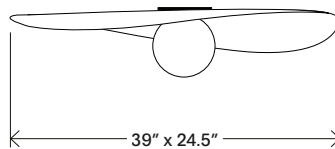
# Myrna Surface Mount



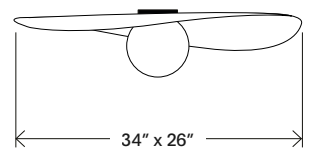
Ø 4.8" x 5/8" canopy



Large



Medium



Small

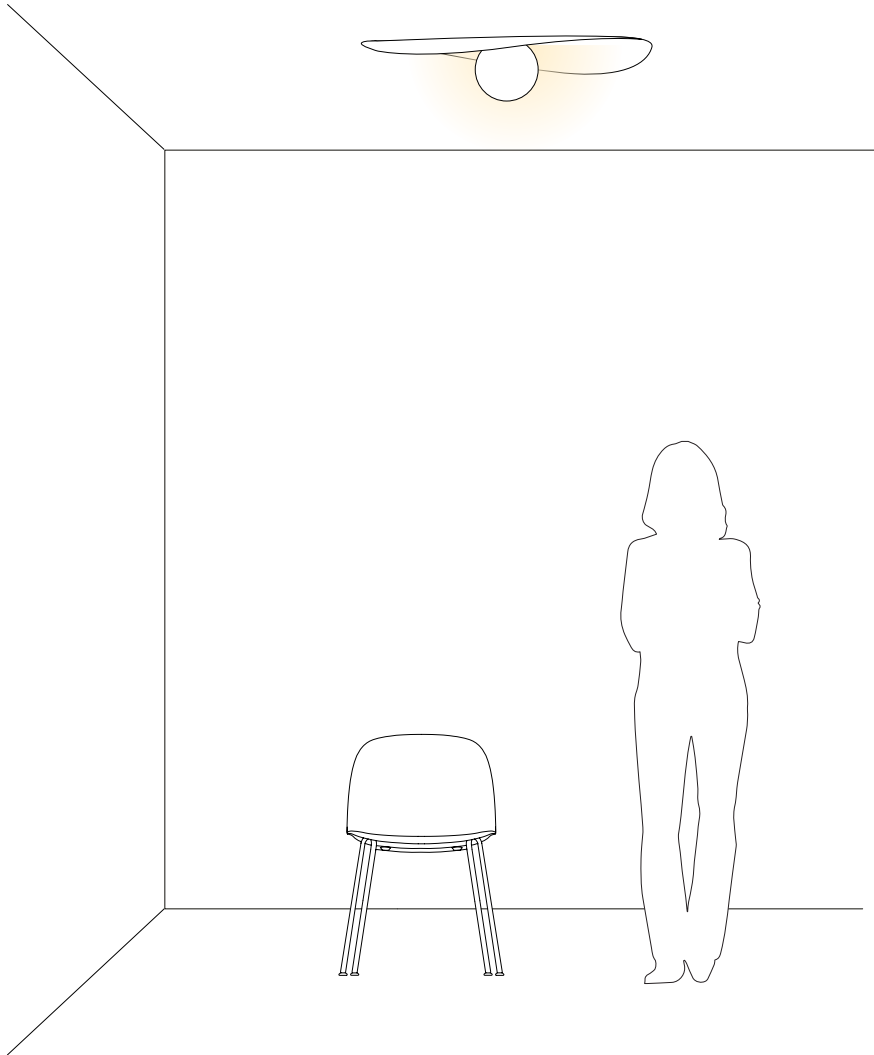
## APPEARANCE

Materials	Glass, Brass, Stainless Steel, Aluminum
Finishes	See Material Options page
Customize	Finishes, Dimensions

## TECHNICAL

Socket / Lamp	E26 socket, G16.5 or A15 bulb
Watt / Volt	25W max line voltage to 300v; Hardwired
Compatibility	Most North American and European
Certification	UL
Weight	7 lb.

# Myrna Surface Mount



## REC. USE / SPACES

Ambient/accent lighting  
Living room  
Statement corner  
Lobby / Entrance  
Hallway



### BULB

E26 socket with  
G16.5 or A15 bulb  
(not included)



### COLOR TEMP

2700K  
recommended



### LUMENS SCALE

Variable



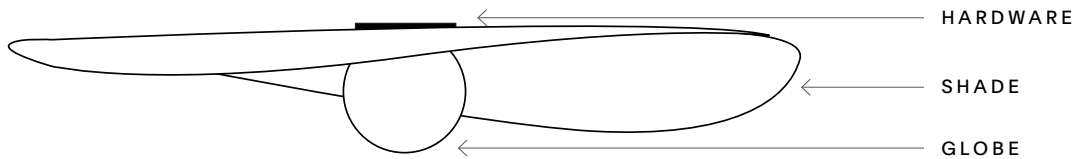
### DIMMING

ELV

### OTHER NOTES

Electronic Wall  
Dimmer Required

# Myrna Surface Mount



## MATERIAL OPTIONS

\*A vast array of custom materials and finishes are available for most products upon request.

### HARDWARE



Brass  
(brushed)



Blackened  
Brass

### SHADE



Perforated  
Smoke



Perforated  
Fog



Stainless  
Steel  
Brushstroke



Brass  
Brushstroke

### GLOBE



White  
(opaque)



Cream  
(translucent)



Fog  
(opaque)



Rust  
(translucent)



Cream  
(opaque)



Marbled  
White  
Glass

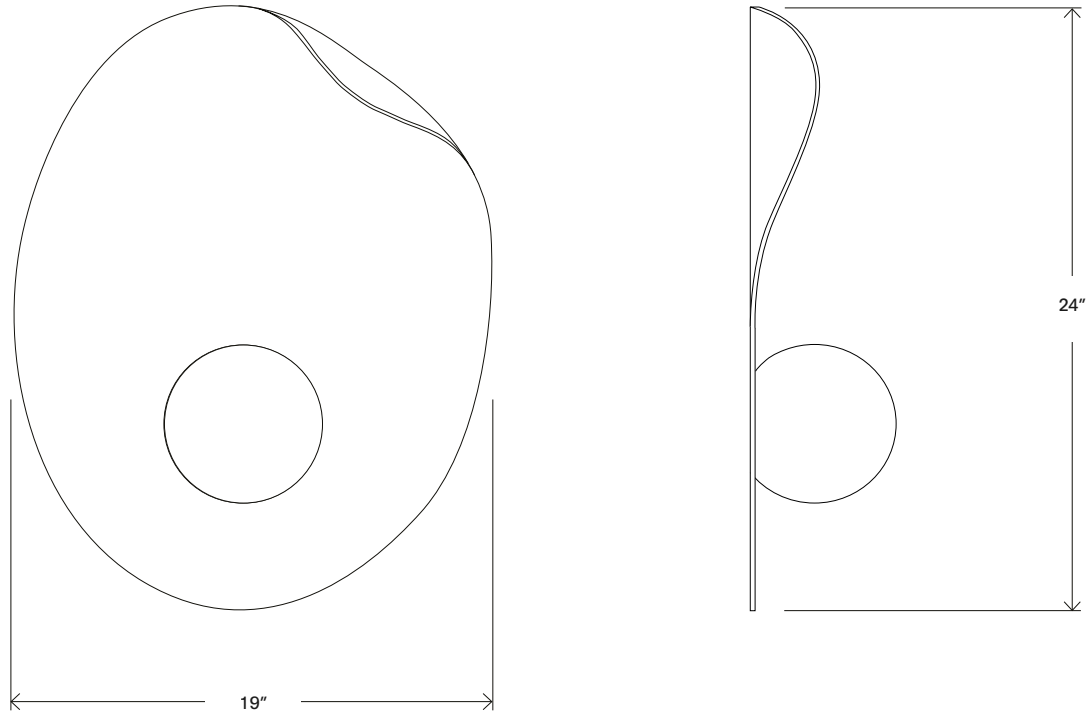


Glacier  
Glass



Marbled  
Amber  
Glass

# Myrna Sconce



## APPEARANCE

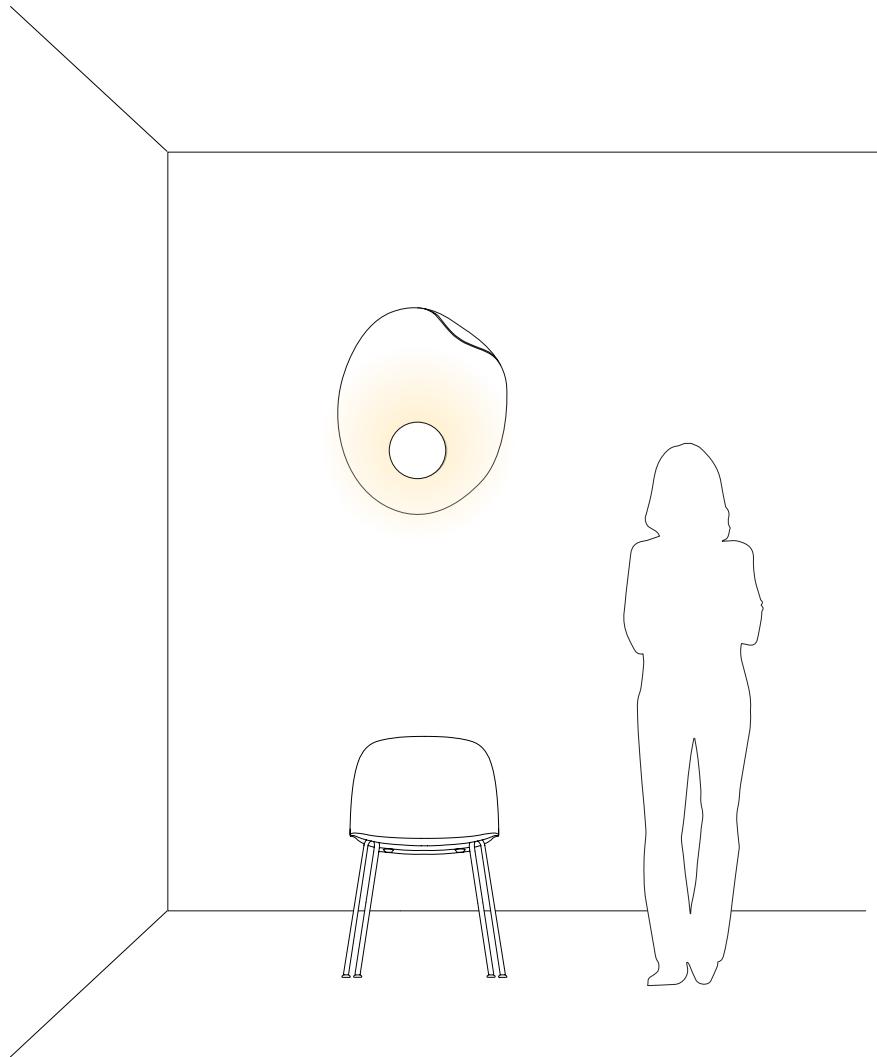
**Materials** Glass, Brass, Stainless Steel, Aluminum  
**Finishes** See Material Options page  
**Customize** Finishes, Dimensions, Clusters

## TECHNICAL

**Socket / Lamp** E26 socket, G16.5 or A15 bulb  
**Watt / Volt** 25W max line voltage to 300v; Hardwired  
**Compatibility** Most North American and European  
**Certification** UL  
**Weight** 6 lb.



# Myrna Sconce



## REC. USE / SPACES

Ambient/accent lighting  
Living room  
Statement corner  
Lobby / Entrance  
Hallway



### BULB

E26 socket with  
G16.5 or A15 bulb  
(not included)



### COLOR TEMP

2700K  
recommended



### LUMENS SCALE

Variable



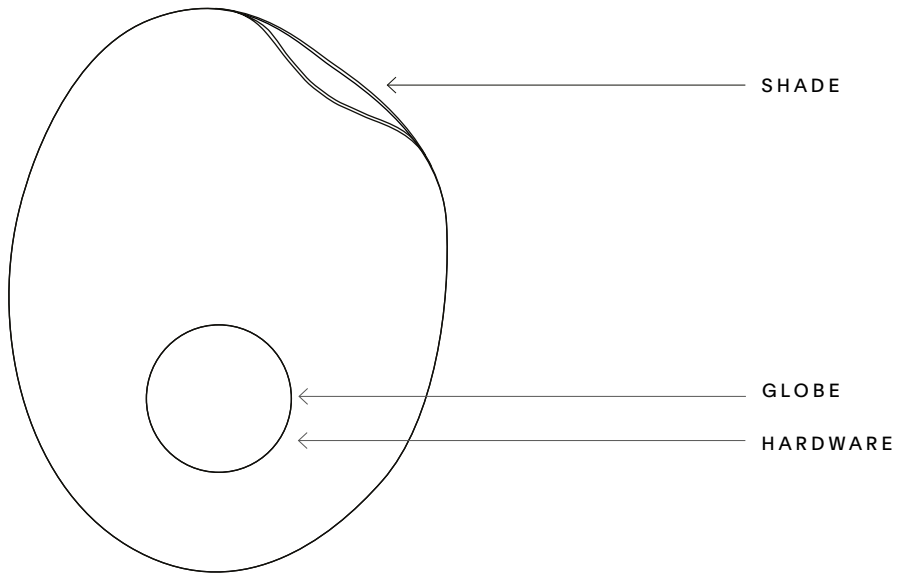
### DIMMING

ELV

### OTHER NOTES

Electronic Wall  
Dimmer Required

# Myrna Sconce



## MATERIAL OPTIONS

\*A vast array of custom materials and finishes are available for most products upon request.

### HARDWARE



Brass  
(brushed)



Blackened  
Brass

### SHADE



Perforated  
Smoke



Perforated  
Fog



Stainless  
Steel  
Brushstroke



Brass  
Brushstroke

### GLOBE



White  
(opaque)



Cream  
(translucent)



Fog  
(opaque)



Rust  
(translucent)



Cream  
(opaque)



Marbled  
White  
Glass



Glacier  
Glass



Marbled  
Amber  
Glass