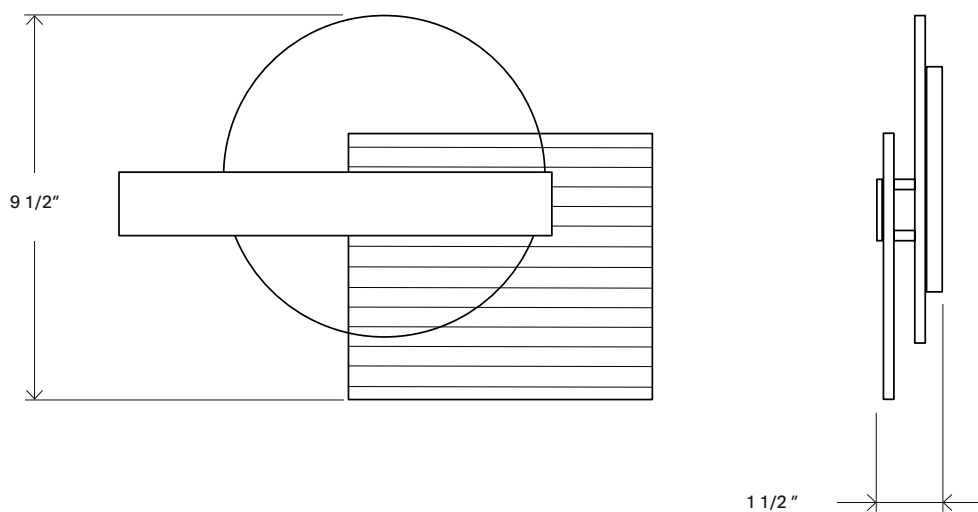


# Kazimir Sconce



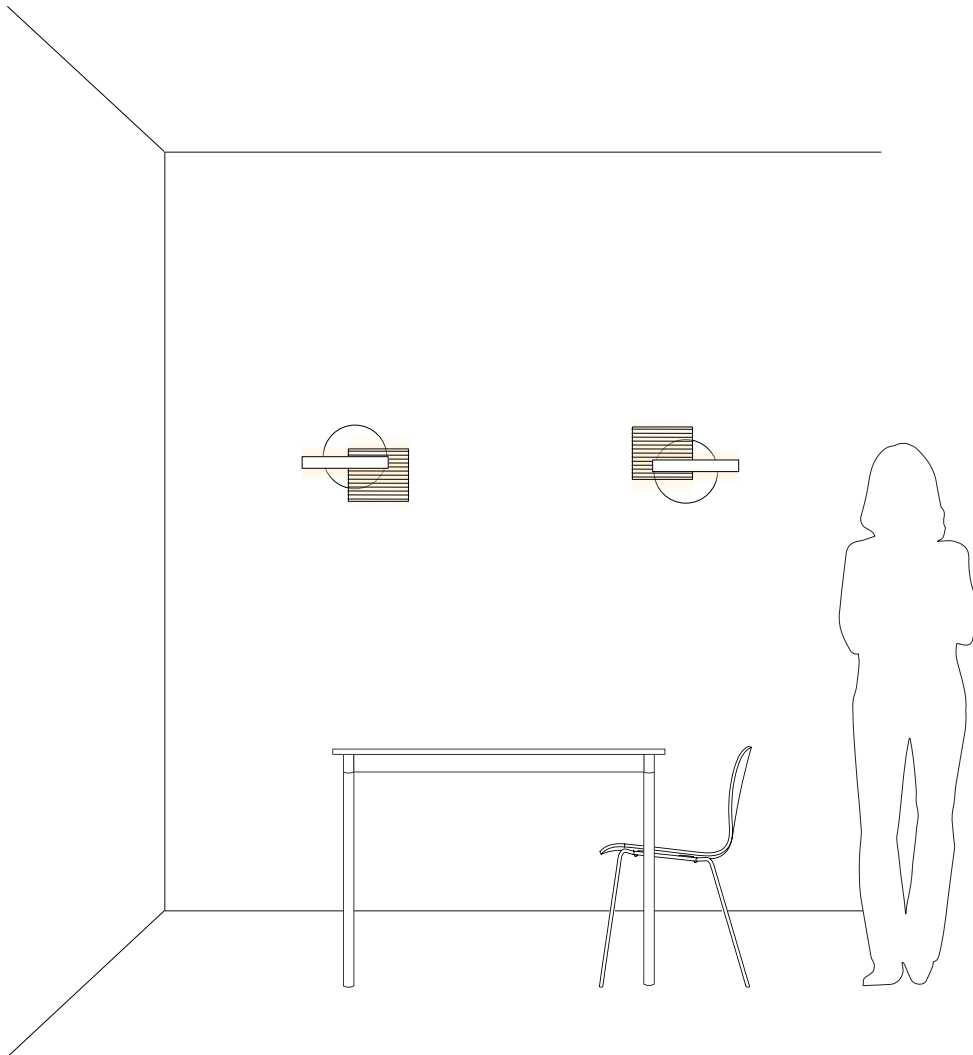
## APPEARANCE

Materials	Glass, steel, aluminum
Finishes	See Material Options page
Customize	Metal finish

## TECHNICAL

Socket / Lamp	LED board
Watt / Volt	7w; 120v or 240v
Lamp detail	75 lumens, 2700 kelvin, 50,000 hours
Dimmer	ELV
Certification	UL site
Weight	4 lb.

# Kazimir Sconce



## REC. USE / SPACES

Bedside  
Commercial Dining  
Hallways  
Lobbies

## PREPARE FOR INSTALL

This is a low voltage fixture.  
Plan to accommodate the power  
supply prior to installation.

Allow for storage of power  
supply in the electrical box or  
elsewhere according to local  
guidelines.



### BULB

Integrated LED  
120V or 220V  
7 Watts



### COLOR TEMP

2700K



### LUMENS SCALE

75lm



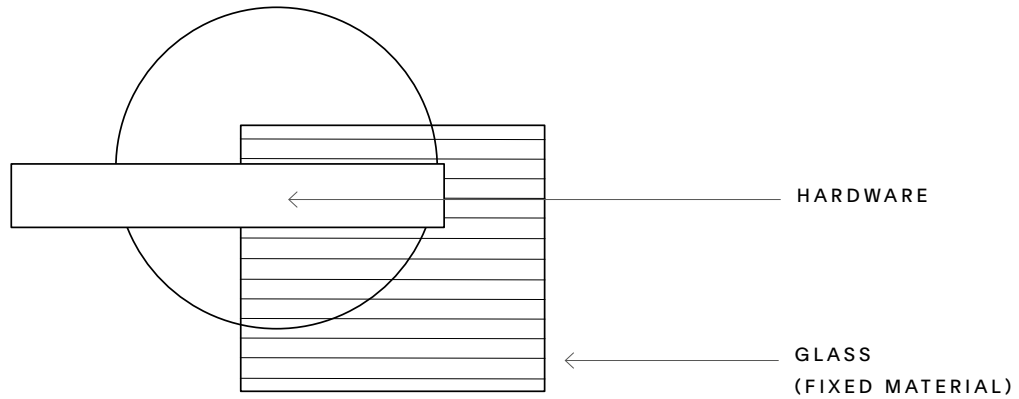
### DIMMING

ELV

### OTHER NOTES

Electronic wall  
dimmer required

# Kazimir Sconce



## MATERIAL OPTIONS

\*A vast array of custom materials and finishes are available for most products upon request.

### HARDWARE

---



Satin Brass    Satin Nickel